

# FITZWELL

Propeller Shaft & Components





46.05 × 68.70 mm – I/L

**FZW010 HD**

TATA 1213/1612/1616



38.05 × 56.70 mm – I/L

**FZW033 OE**

TATA 1210/SE



30.04 × 81.80 mm – O/L

**FZW058 HD**

TATA 407



MSL-1480 - 35 × 106 mm – O/L

**FZW067 HD**

407 Pick Up/JCB 3DX



30.18 × 92 mm – O/L

**FZW068 HD**

407 Turbo MSL/410 MSL/DCM/412



26 × 87 mm – O/L

**FZW074 A**

ACE Mint



Spicer 1000 - 22 × 55 mm – O/L

**FZW078 HD**

TATA ACE MAGIC



SPL90 – 41.28 × 126 mm – O/L

**FZW105 HD**

2515 EX H.D (Rear Joint)



39.70 × 116 mm – O/L

**FZW130 HD**

LEY 370/Bedford J-4



SPICER(1550)-34.92 × 126 mm – O/L

**FZW131 HD**

LEY Tusker/1109 EX/E-Comet/712  
Marco Polo



47.64 × 135 mm – O/L

**FZW158 HD**

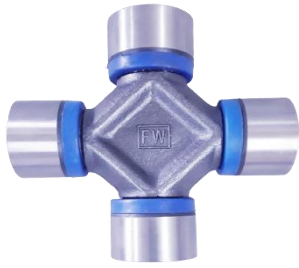
Taurus/3516/Eicher Galaxy



Spicer(1410) – 30.18 × 106 mm- O/L

**FZW174 HD**

Canter N/M/LEY Cargo 709/TATA  
709 Turbo



SPL90 - 41.28 x 126 mm - O/L

**FZW194 HD**

2516 LEY TC/Echer 35.31/33.25/  
LEY 2214



1310 Series - 27 x 81.80 mm - O/L

**FZW709 HD**

JEEP Diesel/LEY Dost/Ace Super/  
Pik Up



1310 Series - 27 x 81.80 mm - O/L

**FZW709 GHD**

JEEP Diesel/LEY Dost/Ace Super/  
Pik Up (GREASELESS)



RSB 325 - 42 x 120 mm - O/L

**FZW726 HD**

TATA 2518 cEX/1616 BS III/1613  
Turbo/LPK - 2516



RSB 403 - 42 x 129 mm - O/L

**FZW728 HD**

TATA - LEY 2518 EX/2515/1612  
Turbo/1616 BS III



1710 series - 49.22 x 154.90 mm

**FZW736 HD**

TATA - LEY 4018/3118/AMW -2523  
(Rear) Patti Type



23.82 x 61.30 mm - O/L

**FZW754 HD**

Ambassador



30.04 x 81.8 mm

**FZW765 HD**

Minidor/ Trax N-M/TATA Max  
(Side Nipple)



RSB 490 - 48 x 135 mm - O/L

**FZW802 HD**

TATA 4018 Lock Type/LEY - 4921/  
AMW - 2523 (Front)



RSB 590 - 52 x 147 mm - O/L

**FZW1151 C**

TATA LEY - 3123 U Truck/T-4928 -  
S-Prima



52 x 147 mm

**FZW1151 CG**

2045/2047/590 Series  
(GREASELESS)



SPICER(1800) - 57 x 144 mm

**FZW1151 D**

AMW Big /TATA/MAAN



**RSB 620 - 57 × 152 mm**

**FZW1151 E**

TATA 4923  
Spicer, 2055 Series



**SPICER(2040) - 47.68 × 135 mm**

**FZW1317 HD**

TATA Prima 3123/TATA – LPS 4923  
/LPK 3118/LPT 3721/AL 3119/  
B.BENZ 2523



**SPICER(2040) - 47.68 × 135 mm**

**FZW1317 GL**

TATA Prima 3123/TATA – LPS 4923  
/LPK 3118/LPT 3721/AL 3119/  
B.BENZ 2523 (GREASELESS)



**52 × 133 mm**

**FZW1325 HD**

AMW Small



**59 × 167.70 mm**

**FZW1400**

2060 SERIES



**TATA HYVA /2515 EX (REAR)**

SPLINES - 16

CROSS – 46.05 x 68.7 mm

**FZW093**

Sleeve Yoke 1312 Ex Long/2515-Ex  
(For Int - Axle)

SPLINES - 30

CROSS – 46.05 x 68.7 mm

**FZW094 A**

Rear Teeth 2515 Hyva Small(EN 15)

SPLINES - 30

CROSS – 46.05 x 68.7 mm

**FZW094 B**

Rear Teeth 2515 Hyva Small(EN 18)

SPLINES - 16

CROSS – 46.05 x 68.7 mm

**FZW095 B**

Rear Teeth 2515 Hyva Small(EN 18)

SPLINES - 16

CROSS – 46.05 x 68.7 mm

**FZW096**

Rear Teeth 1312 Ex Long/2515 Ex  
(For Int - Axle)

Size : 10.2 mm  
Bolt No. 17  
Holes : 8

CROSS – 46.05 x 68.7 mm

**FZW097**

Cross Holder 2515

Size : 9.5 mm  
Bolt No. 15  
Holes : 8

CROSS – 41.28 x 126 mm

**FZW098**

Cross Holder 2515 (Rear Joint)

Size : 10.2 mm  
Bolt No. 17  
Holes : 8

SPLINES - 34

**FZW099**

Center Joint Flange 2515  
Conversion

Size : 10.2 mm  
Bolt No. 17  
Holes : 8

SPLINES - 41

**FZW100**

Pinon Flange 2515 Conversion

Size : 10.2 mm  
Bolt No. 17  
Holes : 8

Oil Seal  
76.3 mm

SPLINES - 39

**FZW101**

Pinon Flange 2515 Conversion

Size : 10.2 mm  
Bolt No. 17  
Holes : 8

Oil Seal  
71.3 mm

SPLINES - 39

**FZW101 A**

Pinon Flange 2515 Conversion

Size : 10.2 mm  
Bolt No. 17  
Holes : 8

SPLINES - 18

**FZW102**

Gear Box Flange GB 60 (1312 Base)

Size : 10.2 mm  
Bolt No. 17  
Holes : 8

SPLINES - 18

3.5"  
5"

**FZW102 A**  
Gear Box Flange GB 60 – 2 Step (1312 Base)

Size : 10.2 mm  
Bolt No. 17  
Holes : 8

4.5"  
5"

CROSS – 41.28 x 126 mm

**FZW107**  
CR Holder 2515EX/Eicher-33.25/30.25/35.31

SPLINES - 30

12"

CROSS – 41.28 x 126 mm

**FZW108 HD**  
Sleeve Yoke 2515 H/D -Forging

SPLINES - 30

10"

CROSS – 41.28 x 126 mm

**FZW108 A**  
Sleeve Yoke 2515 Small - Forging

SPLINES - 16

12"

CROSS – 41.28 x 126 mm

**FZW110 HD**  
Sleeve Yoke 2515 H/D -Forging

SPLINES - 16

10"

CROSS – 41.28 x 126 mm

**FZW110 A**  
Sleeve Yoke 2515 Small - Forging

135 mm  
3.5"

CROSS – 41.28 x 126 mm

**FZW111**  
Half Yoke Tata LPK 2516, 1615

SPLINES - 26

8"  
4"  
Brg Dia 55 mm

**FZW112**  
Front Teeth 2515/2518 Brg No 6211

SPLINES - 26

8"  
4"  
Big Collar Brg Dia 55 mm

**FZW112 A**  
Front Teeth 2515/2518 – 1 Step (Long Collar) Brg Dia 55 mm

SPLINES - 26

8"  
3.5"  
Big Collar Brg Dia 55 mm

**FZW112 B**  
Front Teeth 2515/2518 – 1 Step (Long Collar) Brg No 6211

Size : 10.2 mm  
Bolt No. 17  
Holes : 8

Oil Seal 56 mm

SPLINES - 34

78 mm  
5"

**FZW113**  
Center Joint Flange 2515 N/M / 1616/1613 2 Step – Thin Collar

Size : 10.2 mm  
Bolt No. 17  
Holes : 8

Oil Seal 65 mm

SPLINES - 34

78 mm  
5"

**FZW113 A**  
Center Joint Flange 2515 N/M / 1616/1613 2 Step – Thick Collar

LEYLAND – 2214/2516 T.C. SPICER TYPE

SPLINES - 30

Spl id 49.20 mm  
12"  
CROSS – 41.28 x 126 mm

**FZW199 HD**  
Sleeve Yoke – Eicher Galaxy

SPLINES - 16

Spl id 50.80 mm  
12"  
CROSS – 41.28 x 126 mm

**FZW201 HD**  
Sleeve Yoke

SPLINES - 16

Spl id 50.80 mm  
15"  
CROSS – 41.28 x 126 mm

**FZW201 L**  
Sleeve Yoke BS III – MSL Type  
Ex Long

SPLINES - 30

10.5"  
Spl od 49 mm  
4"

**FZW183**  
Rear Teeth (Eicher Galaxy)

SPLINES - 16

10.5"  
Spl od 50.50 mm  
4"

**FZW184**  
Rear Teeth

SPLINES - 16

13"  
Spl od 50.50 mm  
4"

**FZW184 L**  
Rear Teeth BS III – MSL Type  
Ex Long

130 mm  
4"  
CROSS – 41.28 x 126 mm

**FZW187**  
Half Yoke (Eicher Galaxy)

146 mm  
4"  
CROSS – 41.28 x 126 mm

**FZW187 B**  
Half Yoke LongKan (Solid)

Size : 9.5 mm  
Bolt No. : 15  
Holes : 8  
115 mm  
7"  
CROSS – 41.28 x 126 mm

**FZW186**  
Cross Holder (Eicher Galaxy)

SPLINES - 34

6.5"  
Brg Dia 45 mm  
4"

**FZW185**  
Front Teeth W/Nut – 2 Step  
(Brg No 6209)

Size : 9.5 mm  
Bolt No. : 15  
Holes : 8

SPLINES - 34

2.5"  
7"

**FZW188**  
Centre Joint Flange Conversion

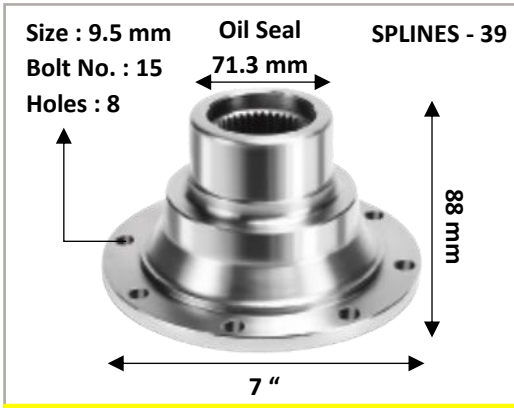
Size : 9.5 mm  
Bolt No. : 15  
Holes : 8

SPLINES - 28

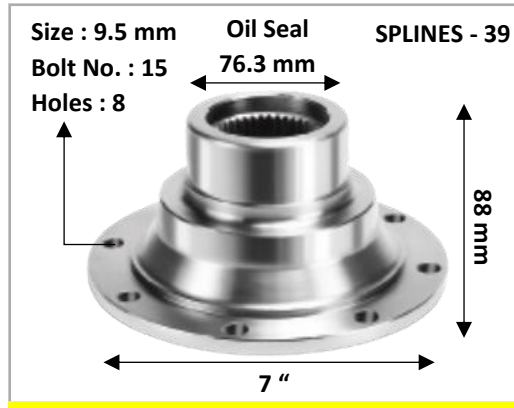
2.5"  
7"

**FZW191**  
Gear Box Flange - Conversion

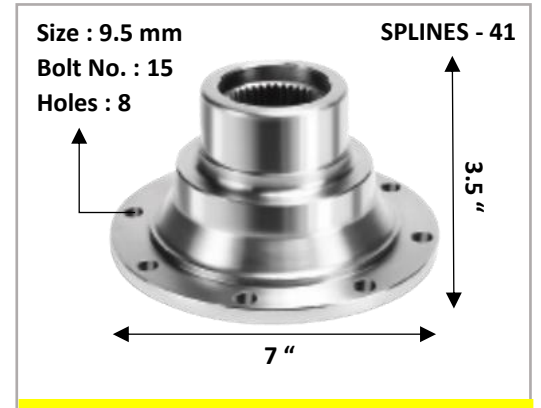




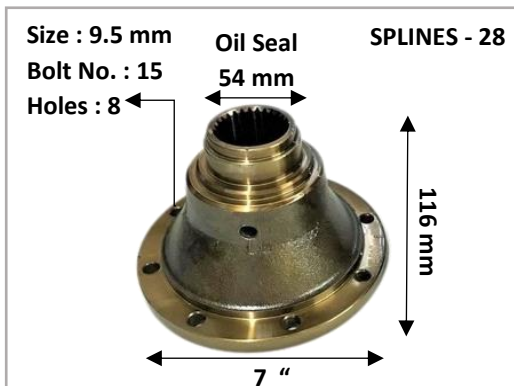
**FZW189**  
Pinion Flange - Conversion



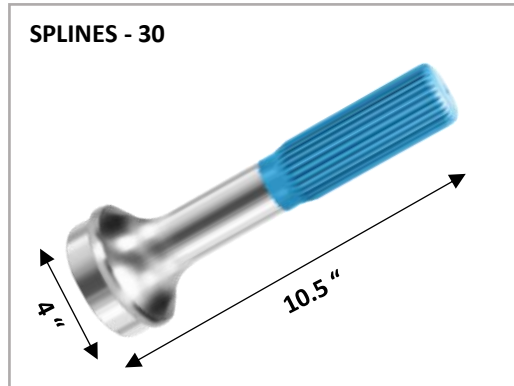
**FZW189 A**  
Pinion Flange - Conversion



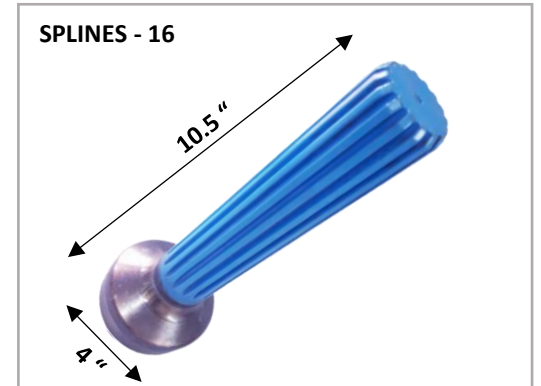
**FZW190**  
Pinion Flange - Conversion



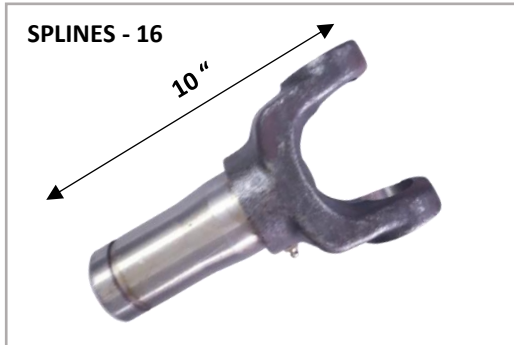
**FZW206 A**  
Gear Box Flange Bell Type



**FZW183 TC**  
Rear Teeth Teflon Coated



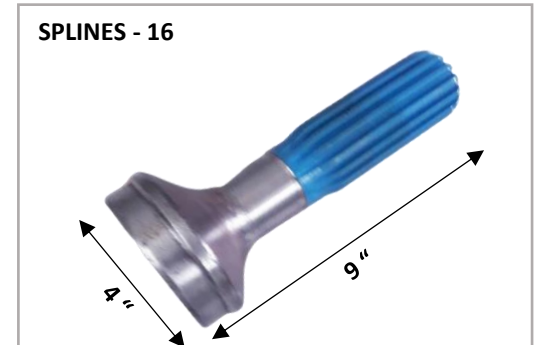
**FZW184 TC**  
Rear Teeth Teflon Coated



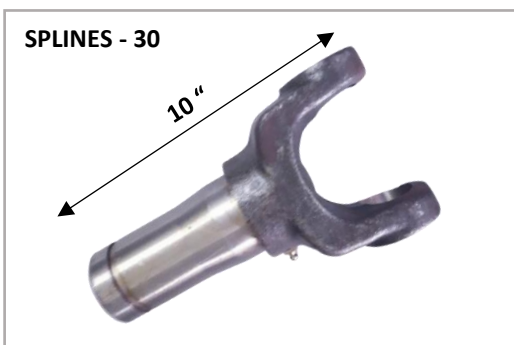
**FZW201 A**  
Sleeve Yoke 2515/3516/3016 Small



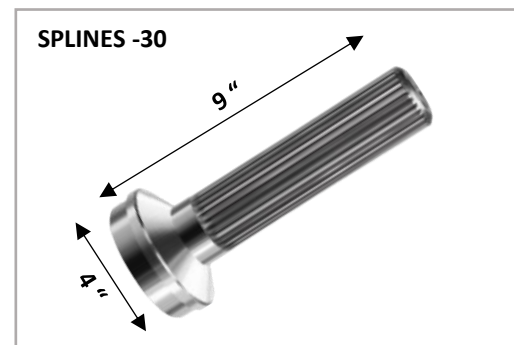
**FZW184 B**  
Rear Teeth



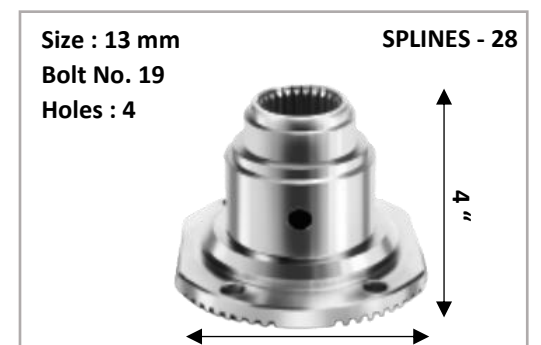
**FZW184 BT**  
Rear Teeth Teflon Coated



**FZW199 A**  
Sleeve Yoke Small



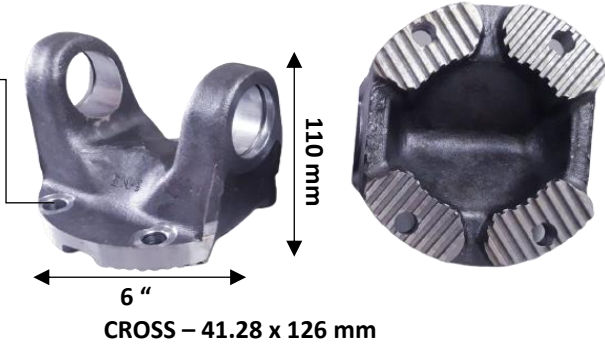
**FZW183 B**  
Rear Teeth Small



**FZW206**  
Gear Box Flange (ZF) Serrated



Size : 13 mm  
Bolt No. 19  
Holes : 4

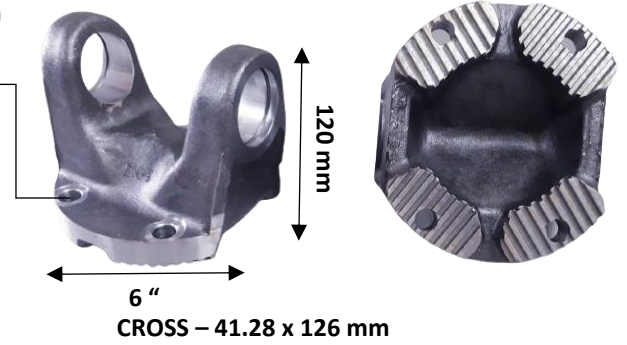


CROSS - 41.28 x 126 mm

**FZW203**

Cross Holder (Serrated)

Size : 13 mm  
Bolt No. 19  
Holes : 4

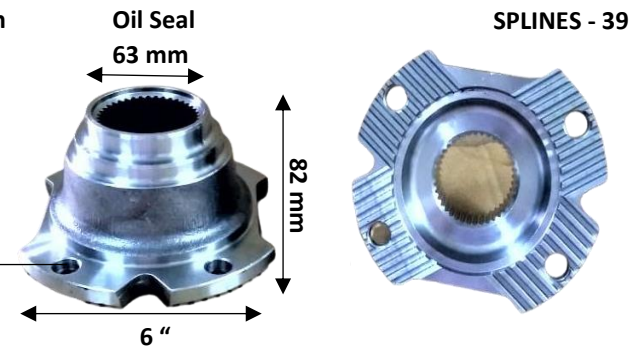


CROSS - 41.28 x 126 mm

**FZW203 A**

Cross Holder (Serrated) - LongKan

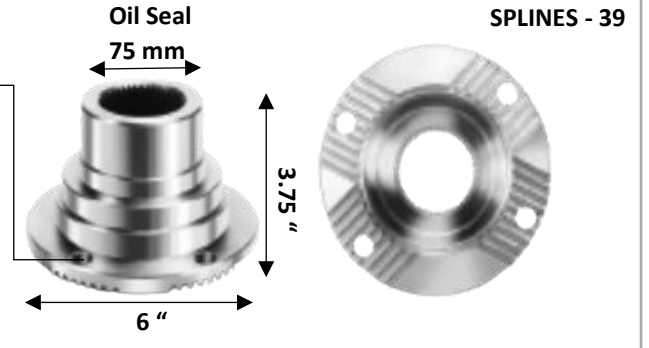
Size : 13 mm  
Bolt No. 19  
Holes : 4



**FZW189 B**

Flange I/A (Serrated) - O.E. Type

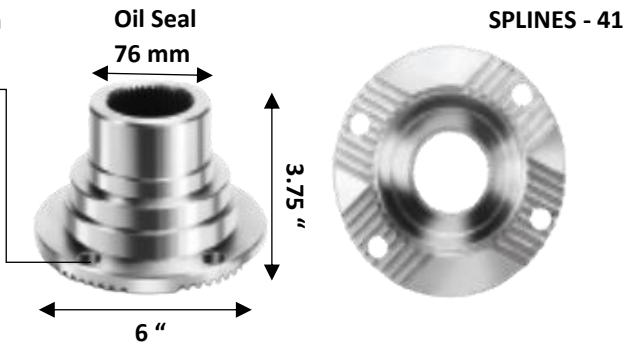
Size : 13 mm  
Bolt No. 19  
Holes : 4



**FZW204**

Flange (Serrated)

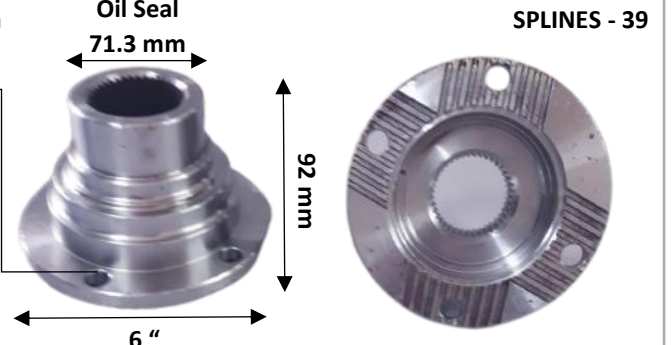
Size : 13 mm  
Bolt No. 19  
Holes : 4



**FZW205**

Flange (Serrated)

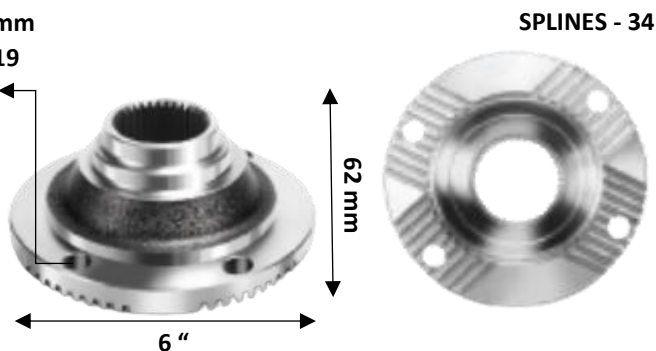
Size : 13 mm  
Bolt No. 19  
Holes : 4



**FZW207**

Flange (Serrated)

Size : 13 mm  
Bolt No. 19  
Holes : 4



**FZW208**

Flange (Serrated)

TATA 2518 cEX / 1616 BS III / 1613 TURBO / LPK - 2516


Size : 10.2 mm  
Bolt No. 17  
Holes : 8



4.25"  
5"  
CROSS – 42 x 120 mm

**FZW725**  
Cross Holder

SPLINES - 20



3.5"  
6.5"

**FZW740 B**  
Sleeve W/Oil Seal

SPLINES - 20



3.5"  
6.5"

**FZW740 BT**  
Black Teflon Coated Sleeve W/Oil Seal

SPLINES - 20



12.5"  
CROSS – 42 x 120 mm

**FZW740 C**  
Reverse Yoke W/Dust Cover

SPLINES - 20



4"  
7"

**FZW740 E**  
Sleeve W/Oil Seal

SPLINES - 20



4"  
7"

**FZW740 TC**  
Black Teflon Coated Sleeve

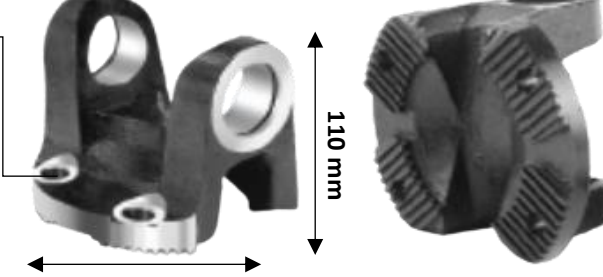
Size : 10.2 mm  
Bolt No. 17  
Holes : 4



108 mm  
5"  
CROSS – 42 x 120 mm

**FZW749**  
Cross Holder (Serrated)

Size : 13 mm  
Bolt No. 19  
Holes : 4



110 mm  
6"  
CROSS – 42 x 120 mm


**FZW749 A**  
Cross Holder (Serrated) Euro III

Size : 10.2 mm  
Bolt No. 17  
Holes : 8




4.25"  
6"  
CROSS – 42 x 120 mm

**FZW730**  
Cross Holder



130 mm  
4"  
CROSS – 42 x 120 mm

**FZW742 A**  
Half Yoke



140 mm  
4"  
CROSS – 42 x 120 mm

**FZW742 B**  
Half Yoke

TATA LEY : 2518 EX/ 2515 / 1616 TURBO / 1616 BS III

Size : 16.2 mm  
Bolt No. : 24  
Holes : 8

CROSS - 42 x 129 mm

**FZW727**  
Cross Holder

SPLINES - 20

CROSS - 42 x 129 mm

**FZW741 H**  
Reverse Yoke W/Dust Cover (Inter Axle)

SPLINES - 20

**FZW741 B**  
Sleeve W/Oil Seal (Inter Axle)

SPLINES - 20

**FZW741 BT**  
Black Teflon Coated Sleeve W/Oil Seal

SPLINES - 20

CROSS - 42 x 129 mm

**FZW741 G**  
Reverse Yoke W/Dust Cover

SPLINES - 20

**FZW729**  
Sleeve W/Oil Seal

SPLINES - 20

**FZW729 TC**  
Black Teflon Coated Sleeve

SPLINES - 20

CROSS - 42 x 129 mm

**FZW741 AB**  
Reverse Yoke W/Dust Cover (Inter Axle)

SPLINES - 20

**FZW741 Ac**  
Sleeve (Inter Axle)

SPLINES - 20

**FZW741 AT**  
Black Teflon Coated Sleeve

CROSS - 42 x 129 mm

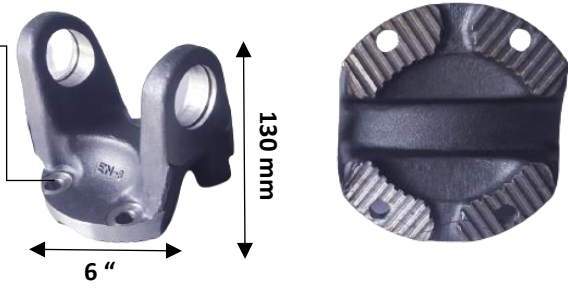
**FZW743**  
Half Yoke

CROSS - 42 x 129 mm

**FZW858**  
Half Yoke (Inter Axle) Long



Size : 13 mm  
Bolt No. 19  
Holes : 4

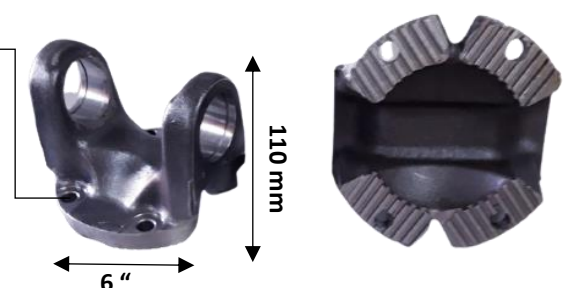


CROSS - 42 x 129 mm

**FZW745**

Cross Holder Serrated Longkan (Inter Axle)

Size : 13 mm  
Bolt No. 19  
Holes : 4



CROSS - 42 x 129 mm

**FZW745 A**

Cross Holder Serrated

Size : 13 mm  
Bolt No. 19  
Holes : 4



**FZW746**

Pinion Flange (Serrated)

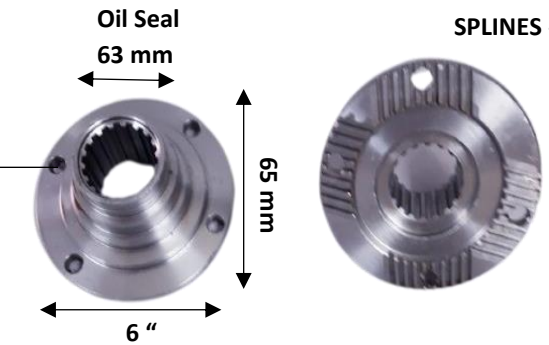
Size : 13 mm  
Bolt No. 19  
Holes : 4



**FZW747**

Pinion Flange (Serrated)

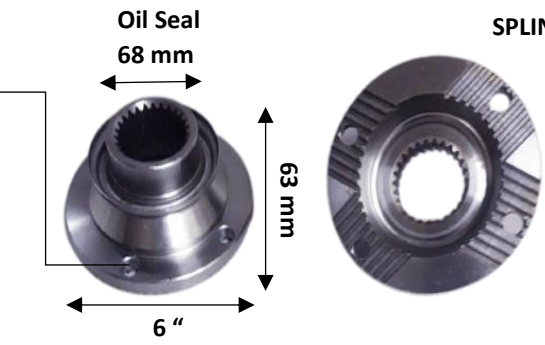
Size : 13 mm  
Bolt No. 19  
Holes : 4



**FZW748**

Gear Box Flange (Serrated)

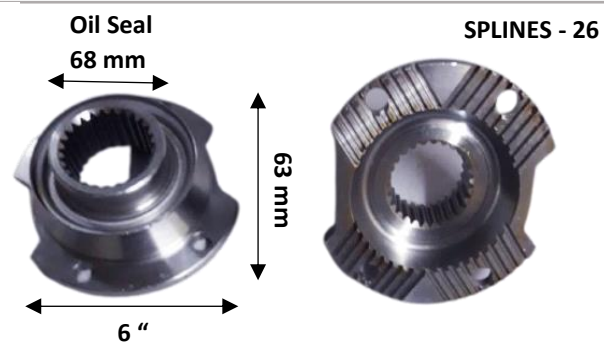
Size : 13 mm  
Bolt No. 19  
Holes : 4



**FZW850**

Pinion Flange (Serrated)

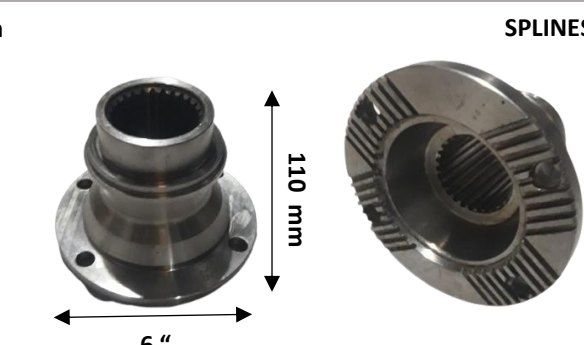
Size : 13 mm  
Bolt No. 19  
Holes : 4



**FZW850 HD**

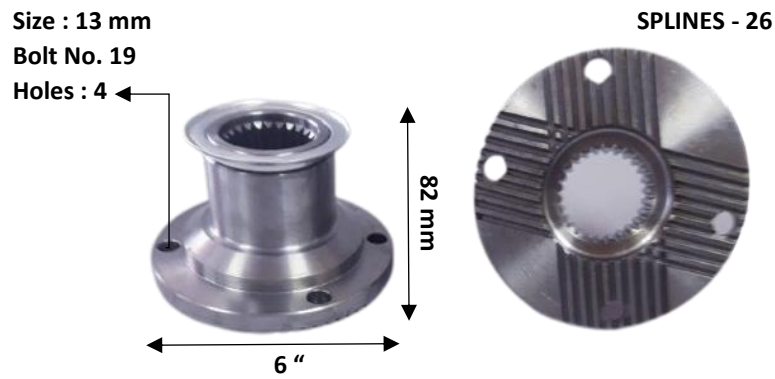
Pinion Flange (Serrated) - O.E Type

Size : 13 mm  
Bolt No. 19  
Holes : 4



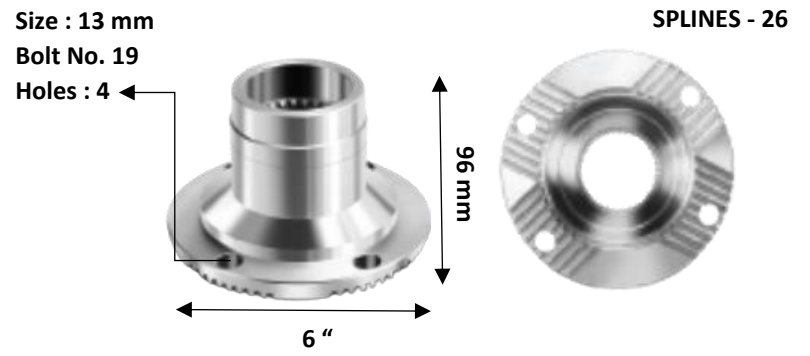
**FZW851**

Gear Box Flange (Serrated) GB75



**FZW852**

Thru-Shaft Flange (Serrated)



**FZW855**

Centre Joint Flange (Serrated)



**FZW855 HD**

Centre Joint Flange (Serrated) – O.E Type



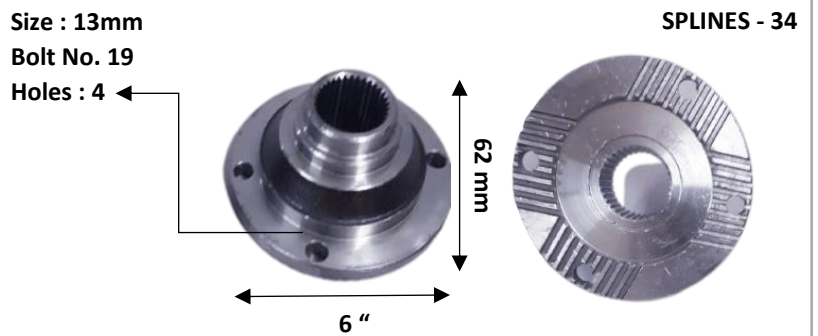
**FZW853**

Pinion Flange (Serrated)



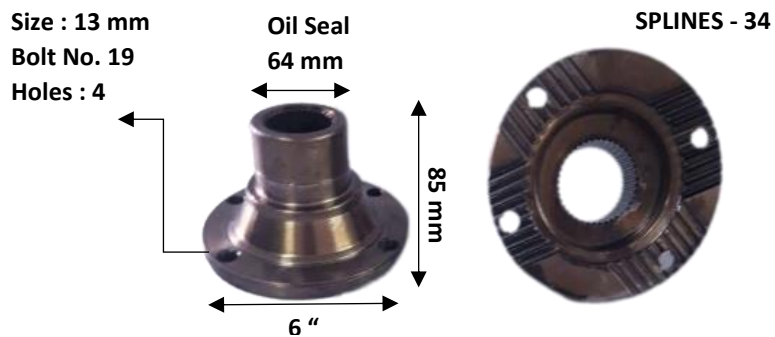
**FZW853 A**

Thru-Shaft Flange (Serrated)



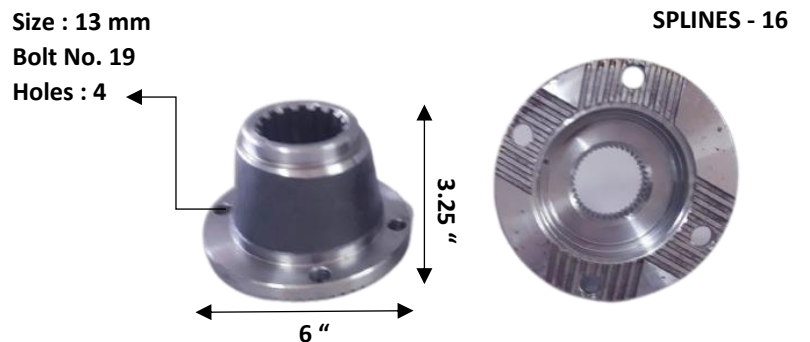
**FZW854**

Flange (Serrated) – 2 Step



**FZW856**

Thru-Shaft Flange (Serrated) – 1 Step



**FZW857**

Flange (Serrated)

Size : 13 mm  
Bolt No. 19  
Holes : 4

Oil Seal  
67 mm

SPLINES - 39

86 mm

6"

**FZW859**

Pinion Flange

Size : 13 mm  
Bolt No. 19  
Holes : 4

SPLINES - 34

80 mm

6"

**FZW856 A**

Flange (Serrated) - 2 Step

Size : 9.5 mm  
Bolt No. 15  
Holes : 8

5.15"

7"

CROSS - 42 x 129 mm

**FZW860**

Cross Holder RSB W/Ley Plate

SPLINES - 26

8"

Bearing Dia  
55 mm

4"

**FZW862**

Front Teeth W/Nut - 1 Step  
(Long Collar)

SPLINES -

7"

Bearing Dia  
65 mm

4"

**FZW861**

Front Teeth W/Nut Brg No. 6013 -  
3 Step

Size : 13 mm  
Bolt No. 19  
Holes : 4

SPLINES - 34

74 mm

6"

**FZW863**

Flange (Serrated)

Size : 13 mm  
Bolt No. 19  
Holes : 4

Oil Seal  
74 mm

SPLINES - 44

92 mm

6"

**FZW865**

Pinion Flange (Serrated)

Size : 13 mm  
Bolt No. 19  
Holes : 4

Oil Seal  
90 mm

SPLINES - 26

84.2 mm

6"

**FZW865 A**

Flange (Serrated)

Size : 15 mm  
Bolt No. 22  
Holes : 4

Oil Seal  
76.3 mm

SPLINES - 41

89 mm

7"

**FZW868**

Pinion Flange (Serrated) Haulage BSIV



**SPLINES - 28**

6"

Bearing Dia 45 mm

4"

**FZW866**

Front Teeth W/Nut LPO/ 1618/403 /325 Series Brg No. 6209/88509

**SPLINES - 39**

160 mm

Bearing Dia 55 mm

Pipe dia 4" - Stub dia 91 mm

**FZW867**

Front Teeth W/Nut - MSL- 1650 Series (BSIV)

CROSS – FZW 736HD : 49.22 x 154.90 mm



TATA – LEY 4018/4022 – Patti Type {Yoke spl id 63.5 mm, Teeth spl od 63 mm}

SPLINES - 16

CROSS – 49.20 x 154.90 mm

**FZW732**

Sleeve Yoke

SPLINES - 16

CROSS – 49.20 x 154.90 mm

**FZW733**

Rear Teeth Teflon Coated

SPLINES - 16

CROSS – 49.20 x 154.90 mm

**FZW733 A**

Rear Teeth

Size : 16.2 mm  
Bolt No. : 24  
Holes : 8

CROSS – 49.20 x 154.90 mm

**FZW735**

Cross Holder – Patti Type

Size : 12 mm  
Bolt No. : 19  
Holes : 12

CROSS – 49.20 x 154.90 mm

**FZW836**

Cross Holder – Patti Type

CROSS – 49.20 x 154.90 mm

**FZW744**

Half Yoke – Patti Type

Size : 16.2 mm  
Bolt No. : 24  
Holes : 8

SPLINES - 26

**FZW734**

Output Flange

Size : 16.2 mm  
Bolt No. : 24  
Holes : 8

SPLINES - 41

**FZW737**

Pinon Flange

Size : 16.2 mm  
Bolt No. : 24  
Holes : 8

SPLINES - 39

**FZW737 A**

Pinon Flange

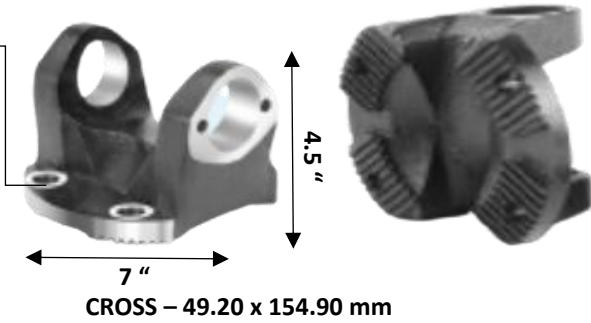
Size : 16.2 mm  
Bolt No. : 24  
Holes : 8

SPLINES - 18

**FZW738**

Gear Box Flange GB - 60

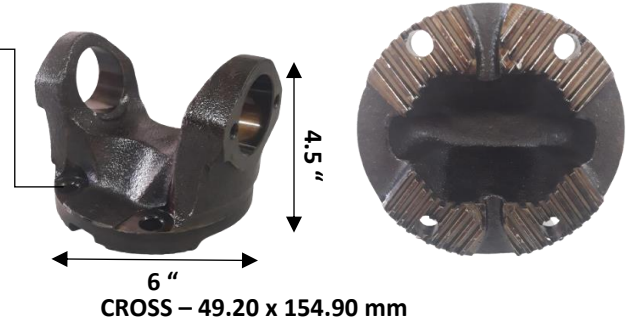
Size : 15 mm  
Bolt No. 22  
Holes : 4



**FZW830**

Holder (Serrated) - Patti Type

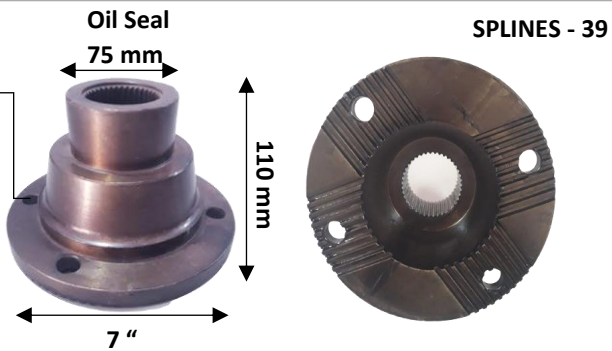
Size : 13 mm  
Bolt No. 19  
Holes : 4



**FZW831**

Holder (Serrated) - Patti Type

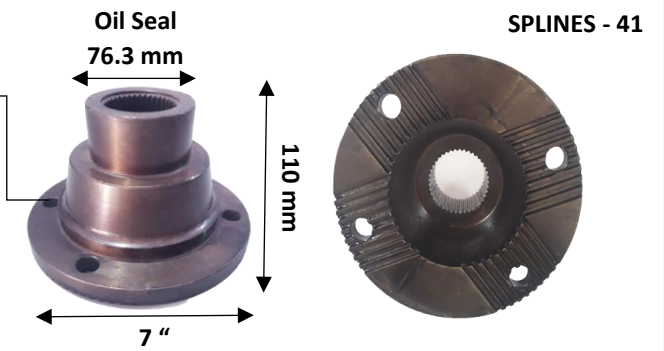
Size : 15 mm  
Bolt No. 22  
Holes : 4



**FZW832**

Flange (Serrated) – Patti Type

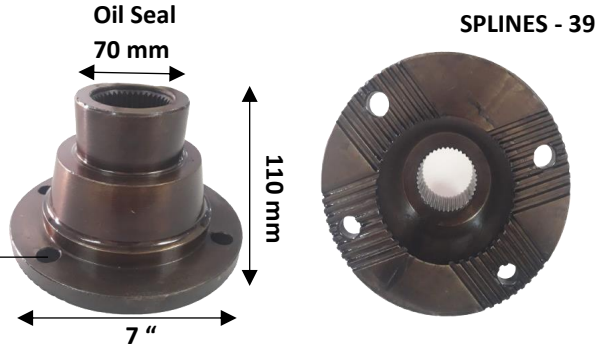
Size : 15 mm  
Bolt No. 22  
Holes : 4



**FZW833**

Flange (Serrated) – Patti Type

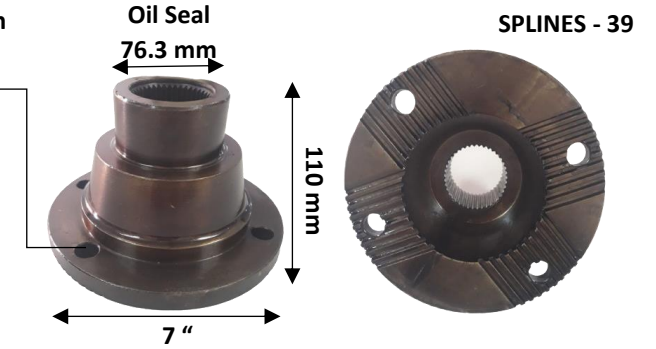
Size : 15 mm  
Bolt No. 22  
Holes : 4



**FZW834**

Flange (Serrated) – Patti Type

Size : 15 mm  
Bolt No. 22  
Holes : 4



**FZW835**

Flange (Serrated) – Patti Type

**LEYLAND HIPPO (CROSS – 49.20 x 154.90 mm)**

Size : 10 mm  
Bolt No. 17  
Holes : 8



**FZW1303**

Cross Holder Leyland Hippo



TATA 4018 LOCK TYPE/LEY 4921

Size : 16.2 mm  
Bolt No. 24  
Holes : 8

6.5 "  
5 "  
CROSS - 48 x135 mm

**FZW800**  
Cross Holder (4018 LOCK TYPE)

4 "  
140 mm  
CROSS - 48 x135 mm

**FZW801**  
Half Yoke (4018 LOCK TYPE)

SPLINES - 26

7 "  
4 "  
Bearing 65 mm

**FZW816**  
Front Teeth with Nut - 3 Step  
(Brg No. 6013)

Size : 15mm  
Bolt No. 22  
Holes : 4

7 "  
130 mm  
CROSS - 48 x135 mm

**FZW803**  
Cross Holder (Serrated) LONG

Size : 13 mm  
Bolt No. 19  
Holes : 4

6 "  
4.5 "  
CROSS - 48 x135 mm

**FZW804**  
Cross Holder (Serrated) Forged

Size : 13 mm  
Bolt No. 19  
Holes : 4

6 "  
5.25 "  
CROSS - 48 x135 mm

**FZW804 F**  
Cross Holder (Serrated) LONG

Size : 13 mm  
Bolt No. 19  
Holes : 4

Oil Seal 63 mm

6 "  
65 mm  
SPLINES - 18

**FZW805**  
Gear Box Flange (Serrated)

Size : 13 mm  
Bolt No. 19  
Holes : 4

Oil Seal 68 mm

6 "  
63 mm  
SPLINES - 26

**FZW806**  
Pinion Flange (Serrated)

Size : 13 mm  
Bolt No. 19  
Holes : 4

Oil Seal 68 mm

6 "  
63 mm  
SPLINES - 26

**FZW806 HD**  
Pinion Flange (Serrated) OE

Size : 13 mm  
Bolt No. 19  
Holes : 4

SPLINES - 26

110 mm  
6"

**FZW807**

Gear Box Flange (Serrated)

Size : 13 mm  
Bolt No. 19  
Holes : 4

SPLINES - 26

82 mm  
6"

**FZW808**

Flange 4018 L/T (Serrated)

Size : 13 mm  
Bolt No. 19  
Holes : 4

SPLINES - 26

96 mm  
6"

**FZW810 HD**

Flange 4018 L/T (Serrated) - V Cut

Size : 13 mm  
Bolt No. 19  
Holes : 4

SPLINES - 34

Oil Seal  
57 mm  
62 mm  
6"

**FZW809**

Flange 4018 L/T (Serrated) - 2 Step

SPLINES - 30

14.5"

CROSS - 48 x 135 mm

**FZW814 A**

Reverse Yoke W/Dust Cover  
2518 LPK LONG

SPLINES - 30

4"  
225 mm / 9"

**FZW815**

Sleeve - W / Oil Seal

SPLINES - 30

4"  
225 mm / 9"

**FZW815 TC**

Black Teflon Coated Sleeve with Oil Seal

SPLINES - 30

12.75"

CROSS - 48 x 135 mm

**FZW811 B**

Reverse Yoke W/Dust Cover  
T - 4018/2518/3518 cEX

SPLINES - 30

4"  
7.75"

**FZW812**

Sleeve W/Oil Seal 4018 L/T  
/2518/3518 cEX

SPLINES - 30

4"  
7.75"

**FZW812 T**

Black Teflon Coated Sleeve W/ Oil Seal  
4018 L/T /2518/3518 cEX

SPLINES - 30

**FZW812 THW**  
Black Teflon Coated Sleeve

SPLINES - 30

**FZW818 B**  
Sleeve W/oil Seal - 4018 L/T / LPT  
- 2523 / 3723

SPLINES - 30

**FZW818 BT**  
Black Teflon Coated Sleeve

SPLINES - 30

CROSS - 48 x 135 mm

**FZW818 A**  
Reverse Yoke W/Dust Cover

SPLINES - 30

**FZW815 L**  
Sleeve

SPLINES - 30

**FZW815 TL**  
Black Teflon Coated Sleeve

Size : 13mm  
Bolt No. 19  
Holes : 4

Oil Seal  
64 mm

SPLINES - 34

**FZW813**  
Pinion Flange (Serrated) - 1 Step



TATA LEY 3118/3116/4921/4923/AMW 2518/LPT 2518 BS III/2521/LPO BUS – 1625,1618,1623 { Yoke spl id – 63.5 mm, Teeth spl od – 63 mm}

SPLINES - 16




13"

CROSS – 49.22 x 154.90 mm

**FZW920**

Sleeve Yoke – Patti Type

SPLINES - 16



SPL id 63.5 mm

14"

CROSS – 49.22 x 154.90 mm

**FZW920 A**

Sl. Yoke EX-Long (verical bolt-Dsg)

SPLINES - 16



12"

4"

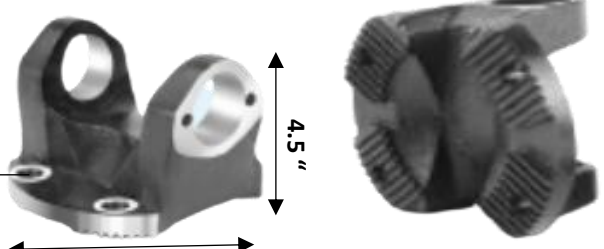
SPL od 63 mm

CROSS – 49.22 x 154.90 mm

**FZW921**

Rear Teeth Teflon Coated

Size : 13 mm  
Bolt No. 19  
Holes : 4



4.5"

6"

CROSS – 49.22 x 154.90 mm

**FZW922**

Cross Holder (Serrated)

Size : 15 mm  
Bolt No. 22  
Holes : 4



4.5"

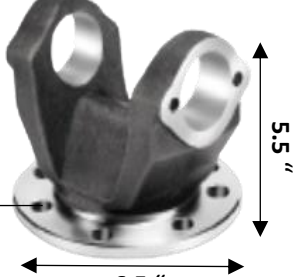
7"

CROSS – 49.20 x 154.90 mm

**FZW923**

Cross Holder (Serrated)

Size : 16 mm  
Bolt No. 24  
Holes : 8



5.5"

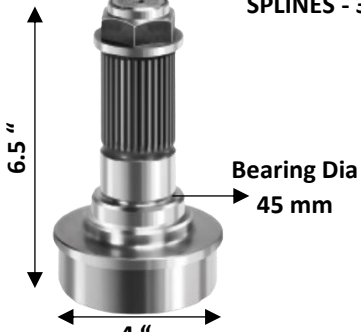
6.5"

CROSS – 49.22 x 154.90 mm

**FZW924**

Cross Holder – Patti Type

SPLINES - 34



6.5"

Bearing Dia 45 mm

4"

CROSS – 49.22 x 154.90 mm

**FZW925**

Front Teeth W/Nut – 2 Step



5.5"

4"

CROSS – 49.22 x 154.90 mm

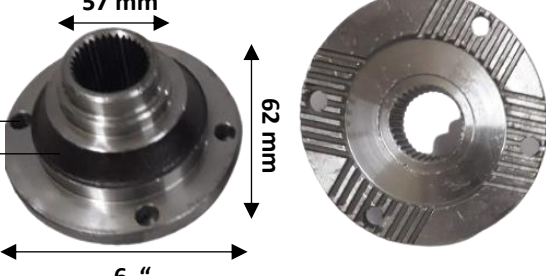
**FZW926**

Half Yoke – Patti Type

Size : 13 mm  
Bolt No. 19  
Holes : 4

Oil Seal 57 mm

SPLINES - 34



2 Step

62 mm

6"

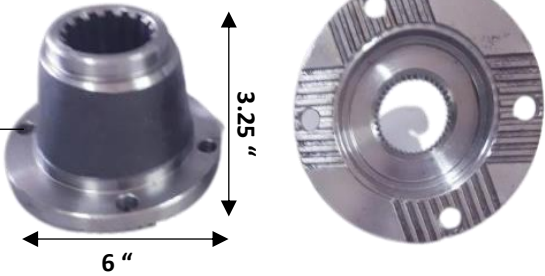
CROSS – 49.22 x 154.90 mm

**FZW927**

Flange (Serrated)

Size : 13 mm  
Bolt No. 19  
Holes : 4

SPLINES - 16



3.25"

6"

CROSS – 49.22 x 154.90 mm

**FZW928**

Flange (Serrated)

Size : 15 mm  
Bolt No. 22  
Holes : 4

Oil Seal  
75 mm

SPLINES - 39

110 mm

7"

**FZW930**

Flange (Serrated)

Size : 15 mm  
Bolt No. 22  
Holes : 4

Oil Seal  
76.3 mm

SPLINES - 41

110 mm

7"

**FZW931**

Flange (Serrated)

Size : 15 mm  
Bolt No. 22  
Holes : 4

Oil Seal  
70 mm

SPLINES - 39

110 mm

7"

**FZW932**

Flange (Serrated)

Size : 15 mm  
Bolt No. 22  
Holes : 4

Oil Seal  
76.3 mm

SPLINES - 39

110 mm

7"

**FZW933**

Flange (Serrated)

Size : 15 mm  
Bolt No. 22  
Holes : 4

Oil Seal  
68 mm

SPLINES - 26

91 mm

7"

**FZW934**

Centre Joint Flange (Serrated)

Size : 15 mm  
Bolt No. 22  
Holes : 4

Oil Seal  
89 mm

SPLINES - 26

85 mm

7"

**FZW935**

Pinon Flange LPK (Serrated)

SPLINES - 16

7.5"

Bearing Dia  
60 mm

4"

**FZW929**

Front Teeth W/Nut

SPLINES - 16

4"

12"

**FZW921 A**

Rear Teeth

TATA 4018 /3116/Eicher 30.25/31.25/ LEY – 2515/2518/2516 LEY TC

SPLINE - 16



I.D. - 63.50 mm  
13"

CROSS - 41.28 x 126 mm

**FZW954**  
Yoke Inter Axle Long

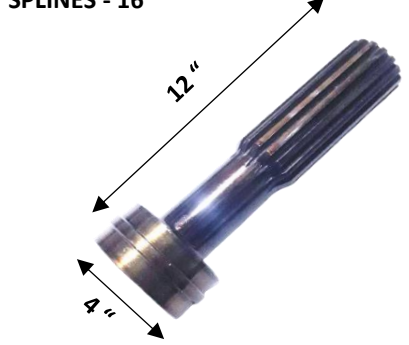
SPLINES - 16



12"  
4"

**FZW952**  
Rear Teeth Teflon Coated

SPLINES - 16



12"  
4"

**FZW952 A**  
Rear Teeth Inter Axle

SPLINES - 16



4"  
12"  
Od - 63 mm

**FZW952 HW**  
Rear Teeth - I/A Hy-Weld-Teflon

SPLINES - 34



5.9"  
4"  
Bearing Dia 55 mm  
2 - Step

**FZW955**  
Front Teeth W/Nut



110 mm  
4"

CROSS - 34.92 x 126 mm

**FZW957**  
Half Yoke (Inter Axle)

Size : 10.1 mm  
Bolt No. 17  
Holes : 4

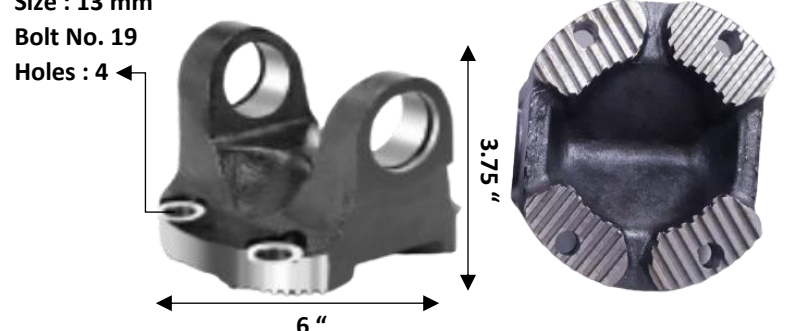


3.5"  
120 mm

CROSS - 41.28 x 126 mm

**FZW959**  
Cross Holder (Serrated)

Size : 13 mm  
Bolt No. 19  
Holes : 4



3.75"  
6"

CROSS - 34.92 x 126 mm

**FZW960**  
Cross Holder (Serrated)

SPLINES - 16



I.D. - 63.5 mm  
14"

CROSS - 41.28 x 126 mm

**FZW1353**  
Sleeve Yoke L-3116 MSL Design

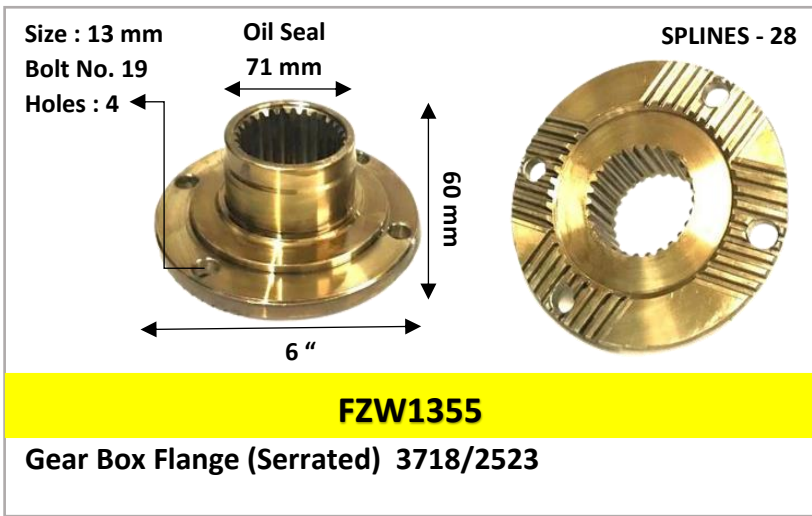
SPLINES - 16



13"  
63 mm  
4"

**FZW1354**  
Teflon Coated Teeth L-3116





RSB 590 SERIES : TATA 2523 TC / LPK 3118 / LPT 3723

SPICER 2045 SERIES : LPK 2521, 3118, 2538 / LEY 3123, 3136 , Bharat Benz 3138, 2523

Size : 15 mm  
Bolt No. 22  
Holes : 4

CROSS - 52 x 147 mm

**FZW1151**

Cross Holder (Serrated)

Size : 15 mm  
Bolt No. 22  
Holes : 4

CROSS - 52 x 147 mm

**FZW1151 B**

Cross Holder (Serrated) Int - Axle

Size : 13 mm  
Bolt No. 19  
Holes : 4

CROSS - 52 x 147 mm

**FZW1151 F**

Cross Holder (Serrated) Bharat Benz / Echer

Size : 13 mm  
Bolt No. 19  
Holes : 4

CROSS - 52 x 147 mm

**FZW1151 K**

Cross Holder (Serrated)

SPLINES - 38

**FZW1151 G**

Reverse Yoke W/Dust Cover

SPLINES - 38

**FZW1151 H**

Black Teflon Coated Sleeve  
Pipe dia 110mm – Stub dia 100mm

**FZW1151 J**

Half Yoke  
Pipe dia 110mm – Stub dia 100mm

SPLINES - 30

**FZW1151 L**

Black Teflon Coated Sleeve  
Half Yoke Weld Design

SPLINES - 38

**FZW1151 M**

Black Teflon Coated Sleeve  
Pipe dia 120mm – Stub dia 112mm

SPLINES - 38

**FZW1151 N**

Black Teflon Coated Sleeve  
Half Yoke Weld Design

SPLINES - 30

330 mm / 13"

CROSS - 52 x 147 mm

**FZW1151 P**

Reverse Yoke W/Dust Cover

SPLINES - 30

4"

204 mm

**FZW1151 Q**

Black Teflon Coated Sleeve  
Half Yoke Weld Design

SPLINES - 30

4"

192 mm

**FZW1151 R**

Black Teflon Coated Sleeve  
Half Yoke Weld Design

SPLINES - 38

317 mm / 12.5"

CROSS - 52 x 147 mm

**FZW1151 S**

Reverse Yoke W/Dust Cover

SPLINES - 30

355 mm / 14"

CROSS - 52 x 147 mm

**FZW1151 T**

Reverse Yoke W/Dust Cover

152 mm

120 mm

CROSS - 52 x 147 mm

**FZW1151 U**

Half Yoke  
Pipe Dia 120mm - Stub dia 112 mm

156 mm

101 mm

CROSS - 52 x 147 mm

**FZW1151 W**

Half Yoke  
Pipe Dia 101mm - Stub dia 95 mm

SPLINES - 28

4"

9"

**FZW866**

Front Teeth LPT - 1613 Bus/  
403/325 BEARING DIA - 45

SPLINES - 26

152 mm

120 mm

**FZW1151 X**

Front Teeth Bold Type & Wshr  
Stub dia 114mm - Brg dia 55mm

SPLINES - 38

4"

8.75"

**FZW1151 Y**

BLACK COATED SLEEVE 2045  
Half Yoke Weld Design

SPLINES - 36

401 mm / 15.75"

CROSS - 52 x 147 mm

**FZW1356**

REVERSE Yoke 590

SPLINES - 36

9.5"

120 mm

**FZW1357**

BLACK TEFLON COATED SLEEVE 590  
Stub dia 112mm - Pipe dia 120mm



TATA – LPS 4923 / LPK 3118 / LPT 3721 / AL 3119 / BHARAT BENZ 2523 / LEY U TRUCK 2523

CROSS - 47.68 x135 mm

**FZW1300**

Half Yoke  
Pipe dia 101mm – Stub dia 91mm

SPLINE - 34

4"

266 mm / 10.5"

**FZW1316 B**

Sleeve Half Yoke Weld Design

SPLINES - 34

4"

266 mm / 10.5"

**FZW1316 D**

Black Teflon Coated Sleeve

Size : 13 mm  
Bolt No. 19  
Holes : 4

134 mm

6"

CROSS - 47.68 x135 mm

**FZW1318**

Cross Holder (Serrated)

Size : 15 mm  
Bolt No. 22  
Holes : 4

Oil Seal  
63 mm

SPLINES - 20

72 mm

7"

**FZW1319**

Centre Joint Flange (Serrated)

SPLINES - 34

385 mm / 15"

CROSS - 47.68 x135 mm

**FZW1320**

Reverse Yoke W/Dust Cover

SPLINES - 34

4"

240 mm / 9.5"

**FZW1321**

Black Teflon Coated Sleeve  
Half Yoke Weld Design

SPLINES - 34

4"

240 mm / 9.5"

**FZW1321 A**

SLEEVE  
Half Yoke Weld Design

SPLINES - 34

356 mm / 14"

CROSS - 47.68 x135 mm

**FZW1322**

Reverse Yoke W/Dust Cover

SPLINES - 34

4"

220 mm / 8.5"

**FZW1323**

Black Teflon Coated Sleeve  
Half Yoke Weld Design

SPLINES - 34

330 mm / 13"

CROSS - 47.68 x135 mm

**FZW1326**

Reverse Yoke W/Dust Cover

Size : 13 mm  
Bolt No. 19  
Holes : 4

Oil Seal  
63 mm

SPLINES - 20

71 mm

6"

**FZW1324 A**

Centre Joint Flange V-Cut (Serrated)

Size : 13 mm  
Bolt No. 19  
Holes : 4

Oil Seal  
Big

SPLINES - 20

71 mm

6"

**FZW1324 B**

Centre Joint Flange V-Cut (Serrated)

SPLINES - 34

4"

220 mm / 8.5"

**FZW1328**

Sleeve Half Yoke Weld Design

SPLINES - 20

148 mm

Pipe dia 4.72" - Stub dia 4.40"

**FZW1329**

Front Teeth (Bolt Type)

SPLINES - 20

148 mm

Pipe dia 4" - Stub dia 3.75"

**FZW1330**

Front Teeth (Bolt Type)  
Bearing Dia 55 mm

SPLINES - 34

295 mm / 11.75"

CROSS - 47.68 x 135 mm

**FZW1331**

Reverse Yoke W/Dust Cover

Pipe dia 4.5"

SPLINES - 34

202 mm

Pipe dia 4.5"

**FZW1332**

Sleeve

SPLINES - 46

7.75"

4"

**FZW1333**

Front Teeth Ley 3718 MSL Shaft  
Bearing Dia 60 mm

SPLINES - 34

4"

228 mm / 9"

**FZW1334**

Black Teflon Coated Sleeve

SPLINES - 34

Total length : 375 mm

CROSS - 47.68 x 135 mm

**FZW1335**

Rear Housing with Welch - Plug  
Half Yoke Weld Sleeve (9.5")

SPLINES - 34

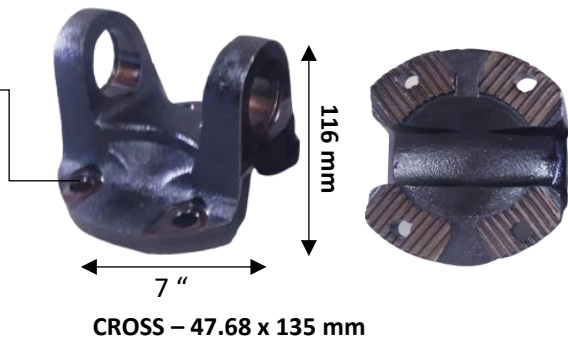
Total length : 345 mm

CROSS - 47.68 x 135 mm

**FZW1336**

Rear Housing with Welch - Plug  
Half Yoke Weld Sleeve (8.5")

Size : 15 mm  
Bolt No. 22  
Holes : 4



CROSS - 47.68 x 135 mm

**FZW1337**

Cross Holder (Serrated)

Size : 15 mm  
Bolt No. 22  
Holes : 4



CROSS - 47.68 x 135 mm

**FZW1338**

Cross Holder (Serrated)



Pipe dia 120 mm - Stub dia 112 mm  
CROSS - 47.68 x 135 mm

**FZW1339**

Half Yoke



CROSS - 47.68 x 135 mm

**FZW1348**

Reverse Yoke MSL Design



Black Teflon Coated Sleeve MSL  
Deg (Pipe dia 4" - Stub dia 95 mm)

**FZW1349**

Size : 15 mm  
Bolt No. 22  
Holes : 4



**FZW1340**

Gear Box Flange GBS - 1150 (Serrated)

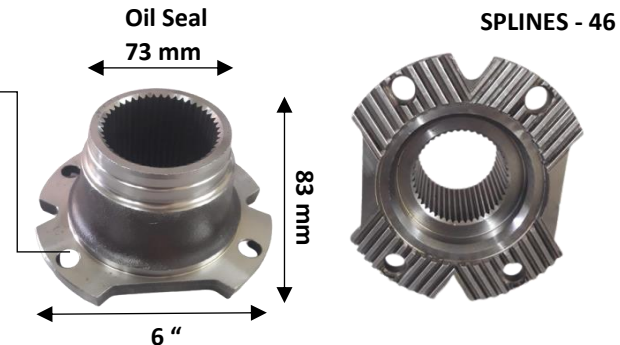
Size : 13 mm  
Bolt No. 19  
Holes : 4



**FZW1341**

Gear Box Flange GBS - 1150 (Serrated)

Size : 13mm  
Bolt No. 19  
Holes : 4



**FZW1342**

Pinion Flange (Serrated)

Size : 15mm  
Bolt No. 22  
Holes : 4



**FZW1343**

Pinion Flange (Serrated)



Size : 15 mm  
Bolt No. 22  
Holes : 4

Oil Seal  
84 mm

SPLINES - 46

92 mm

7"

**FZW1344**

Pinion Flange (Serrated)

Size : 13 mm  
Bolt No. 19  
Holes : 4

Oil Seal  
55 mm

SPLINES - 28

77 mm

6"

**FZW1345**

Gear Box Flange Eaton Gear (Serrated)

Size : 13 mm  
Bolt No. 19  
Holes : 4

Oil Seal  
77 mm

SPLINES - 28

77 mm

6"

**FZW1346**

Gear Box Flange Eaton (Serrated)

Size : 13 mm  
Bolt No. 19  
Holes : 4

Oil Seal  
77 mm

SPLINES - 28

92 mm

6"

**FZW1347**

Gear Box Flange Eaton (Serrated)

Size : 13 mm  
Bolt No. 19  
Holes : 4

Oil Seal  
70 mm

SPLINES - 30

76 mm

6"

**FZW1351**

Gear Box Flange (Serrated) Bharat Benz

Size : 15 mm  
Bolt No. 22  
Holes : 4

Oil Seal  
70 mm

SPLINES - 30

76 mm

7"

**FZW1352**

Gear Box Flange (Serrated) Eaton